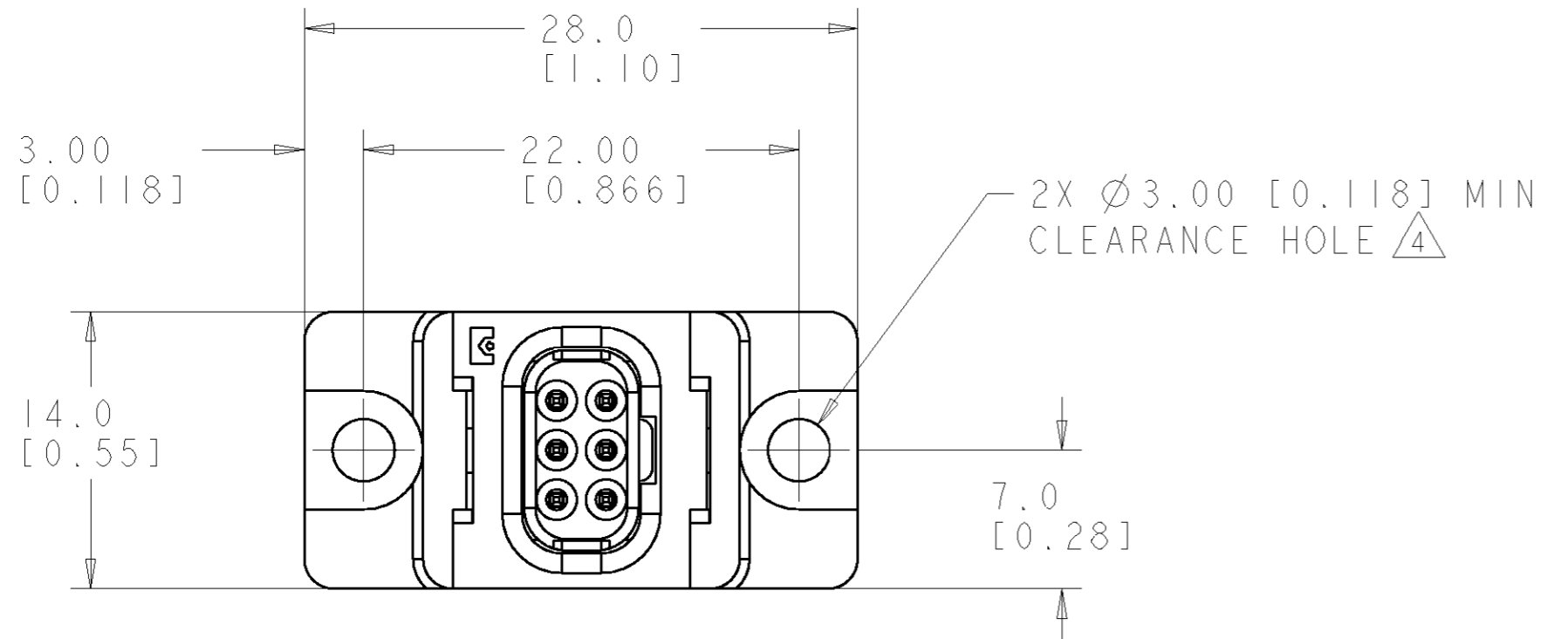


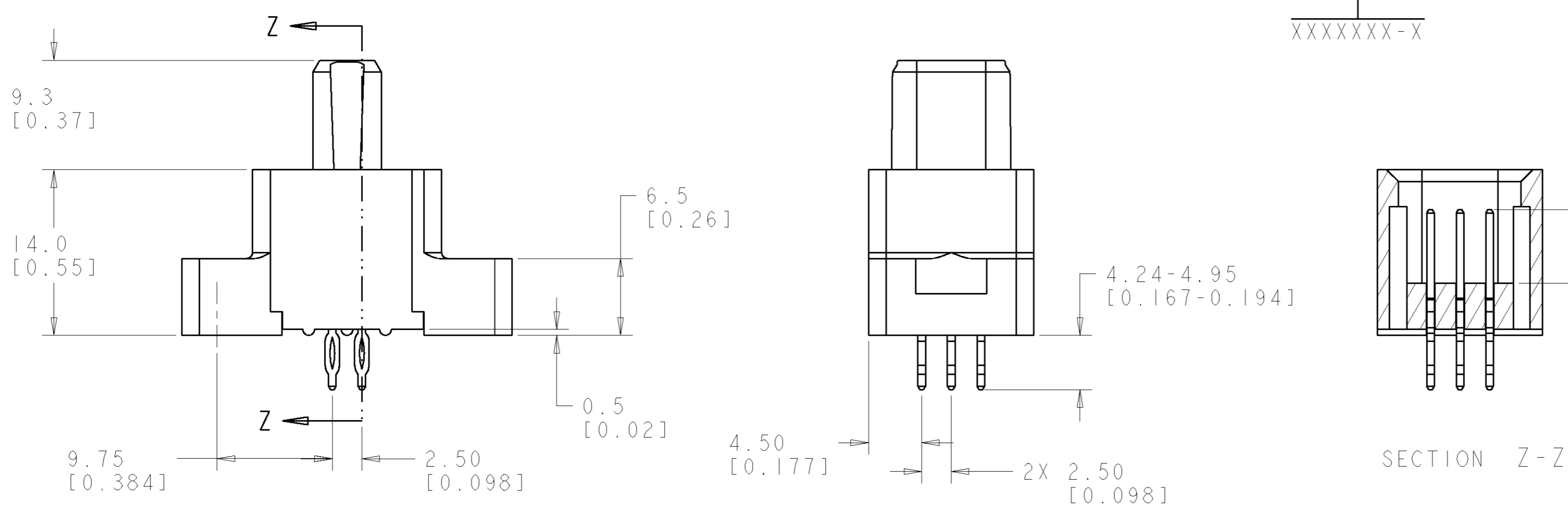
THIS DRAWING IS UNPUBLISHED. RELEASED FOR PUBLICATION 20
 © COPYRIGHT 20 BY TYCO ELECTRONICS CORPORATION. ALL RIGHTS RESERVED.

LOC	DIST	REVISIONS			
P	LTR	DESCRIPTION	DATE	DWN	APVD
GP	00	A	RELEASED	13JUN2007	RG PD



- PART NUMBER CHANGES AND OR DESIGN CHANGES AFFECTING ITEM INTERCHANGEABILITY REQUIRE PRIOR TYCO ELECTRONICS APPROVAL AND AUTHORIZATION BY REVISION TO THIS DRAWING.
 - MATERIAL:
INSULATORS - THERMOPLASTIC, GLASS REINFORCED
COLOR: BLACK, UL94V-0 FLAMMABILITY RATED.
SOLDER SIGNAL PINS-BRASS ALLOY
COMPLIANT SIGNAL PIN-PHOSPHOR BRONZE
 - FINISH:
CONTACTS - GOLD PLATE 0.76µM MIN. THK., OVER
NICKEL 1.27µM MIN. THK
COMPLIANT TAILS, TIN 1.02µM MIN. THK. OVER
NICKEL 1.27µM MIN THK.
- △ MOUNTING FLANGE ACCEPTS M4 OR #6 SCREWS (USER SUPPLIED).
5. CONTACT TYCO FOR RECOMMENDED PRESS TOOL DRAWING, FIX00229.
6. ITEMS PROVIDED TO THIS SPECIFICATION TO BE PERMANENTLY IDENTIFIED ON THE CONTAINER PER THE FOLLOWING IDENTIFIER LABEL

TYCO ELECTRONICS P/N: XXXXXXXX-X DATE CODE (e.g. 0106): XXXX
 YEAR WEEK



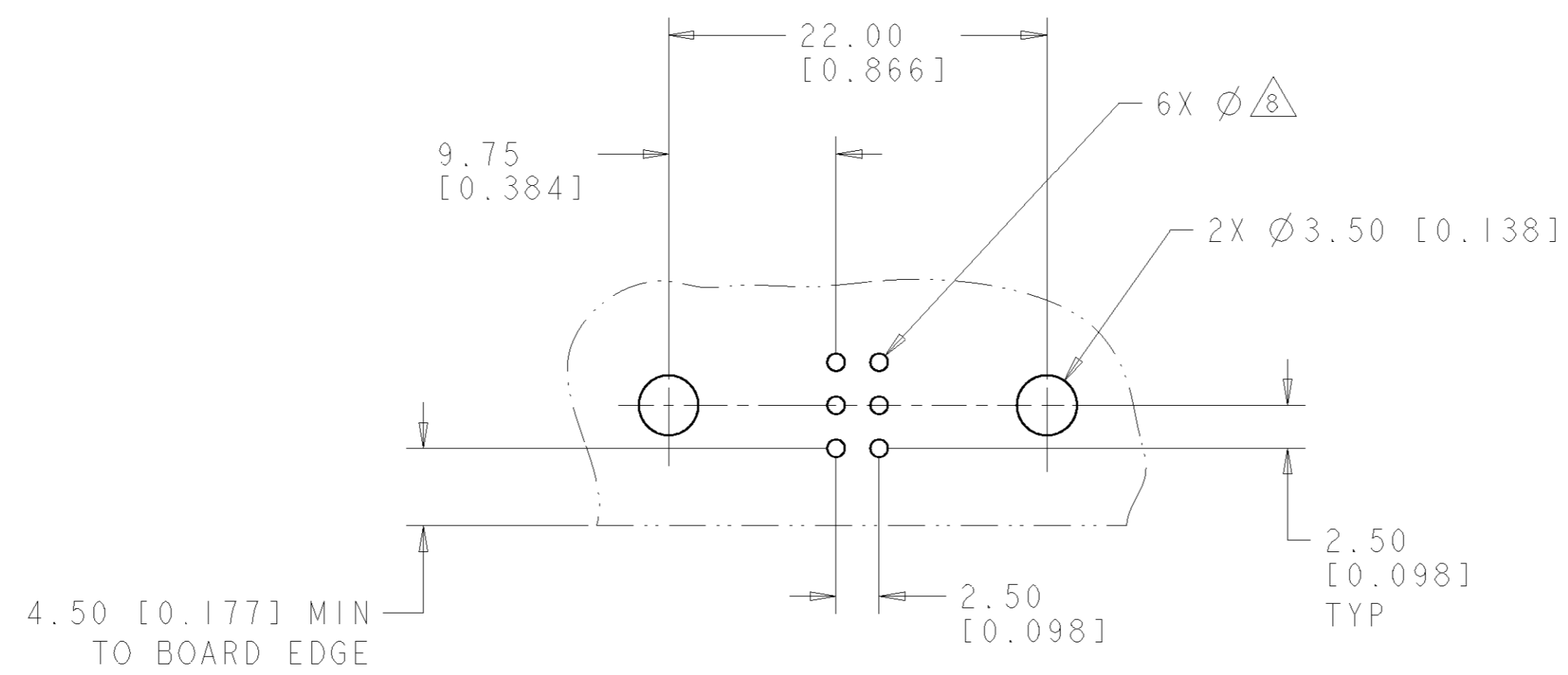
SECTION Z-Z

ELCON FLATPAQ

<small>THIS DRAWING IS A CONTROLLED DOCUMENT FOR TYCO ELECTRONICS CORPORATION. IT IS SUBJECT TO CHANGE AND THE CONTROLLING ENGINEERING ORGANIZATION SHOULD BE CONTACTED FOR THE LATEST REVISION.</small>		DWN: R. GRZYBOWSKI 13JUN2007 CHK: P. DAMATO 13JUN2007 APVD: S. FLICKINGER 13JUN2007	Tyco Electronics Harrisburg, PA 17105-3608
DIMENSIONS: mm [INCHES]	TOLERANCES UNLESS OTHERWISE SPECIFIED: 0 PLC ±.5 [0.020] 1 PLC ±.25 [0.010] 2 PLC ±.25 [0.010] 3 PLC ±. 4 PLC ±. ANGLES ±.5 FINISH -	PRODUCT SPEC: - APPLICATION SPEC: - WEIGHT: -	NAME: SOCKET CONNECTOR, STRAIGHT COMPLIANT FLATPAQ SIZE: A2 CAGE CODE: 00779 DRAWING NO: G-6651778 RESTRICTED TO: -
MATERIAL: -		CUSTOMER DRAWING	SCALE: 3:1 SHEET 1 OF 3 REV A

THIS DRAWING IS UNPUBLISHED. RELEASED FOR PUBLICATION 20
 © COPYRIGHT 20 BY TYCO ELECTRONICS CORPORATION. ALL RIGHTS RESERVED.

LOC	DIST	REVISIONS					
GP	00	P	LTR	DESCRIPTION	DATE	DWN	APVD
		-		SEE SHEET 1	-	-	-



PRINTED CIRCUIT LAYOUT
 COMPONENT SIDE

CONNECTOR	CATALOG MODULE #	QTY	SIZE NO.	CONTACT QTY	MATING PIN	MAX. CURRENT (PER CONTACT)	CONTACT SPACING	VOLTAGE RATING
SOCKET	FP413	1	22	6	.64 [.025] SQ.	3 amps	2.50 [.0984]	125 VOLTS
	FP500	1	MOUNTING FLANGE, LEFT					
	FP501	1	MOUNTING FLANGE, RIGHT					

THIS DRAWING IS A CONTROLLED DOCUMENT FOR TYCO ELECTRONICS CORPORATION. IT IS SUBJECT TO CHANGE AND THE CONTROLLING ENGINEERING ORGANIZATION SHOULD BE CONTACTED FOR THE LATEST REVISION.

DWN	R. GRZYBOWSKI	13 JUN 2007
CHK	P. DAMATO	13 JUN 2007
APVD	S. FLICKINGER	13 JUN 2007

Tyco Electronics
 Harrisburg, PA 17105-3608

NAME: SOCKET CONNECTOR, STRAIGHT COMPLIANT FLATPAQ

SIZE	CAGE CODE	DRAWING NO.	RESTRICTED TO
A200779	C-6651778		-

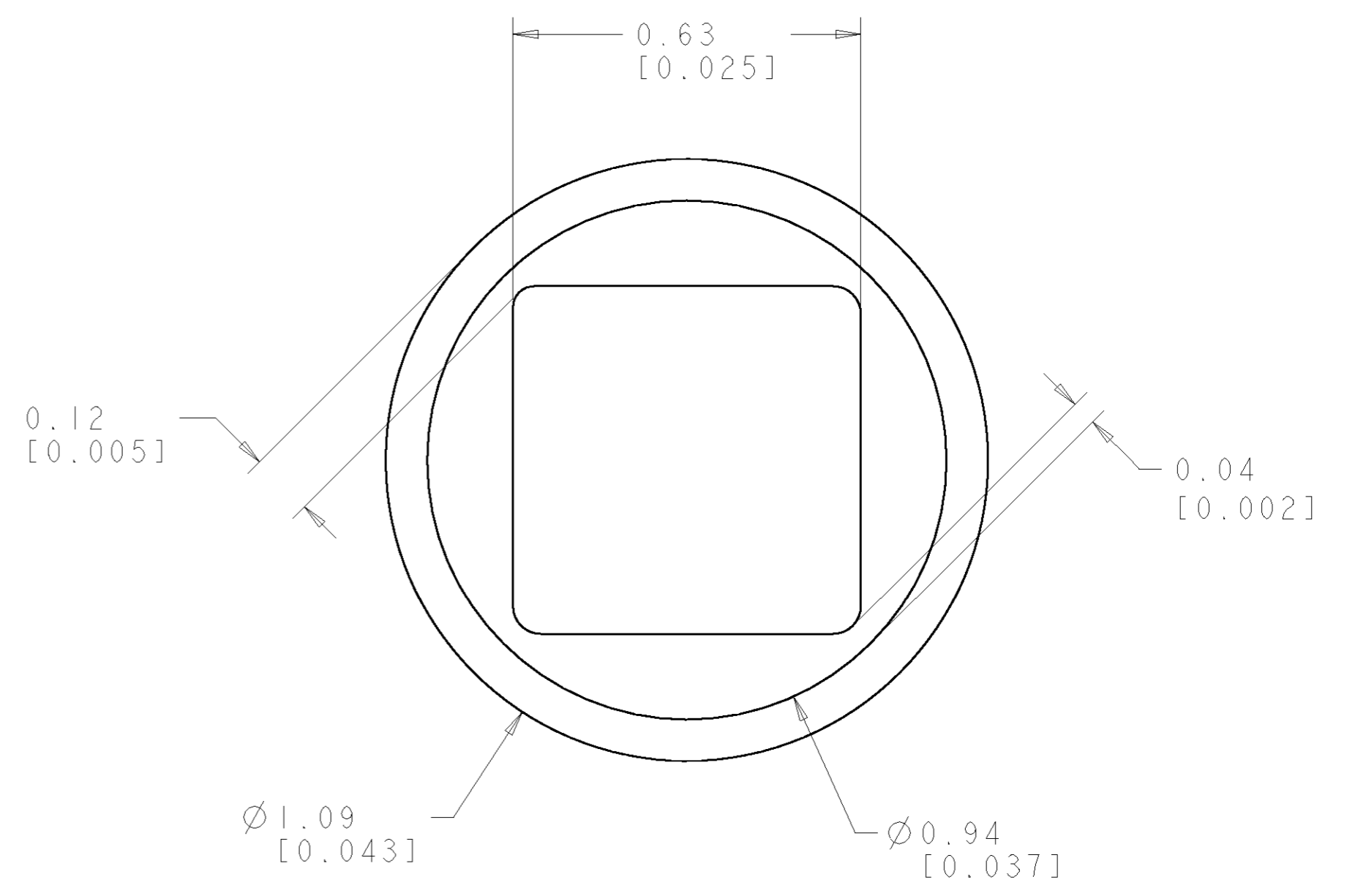
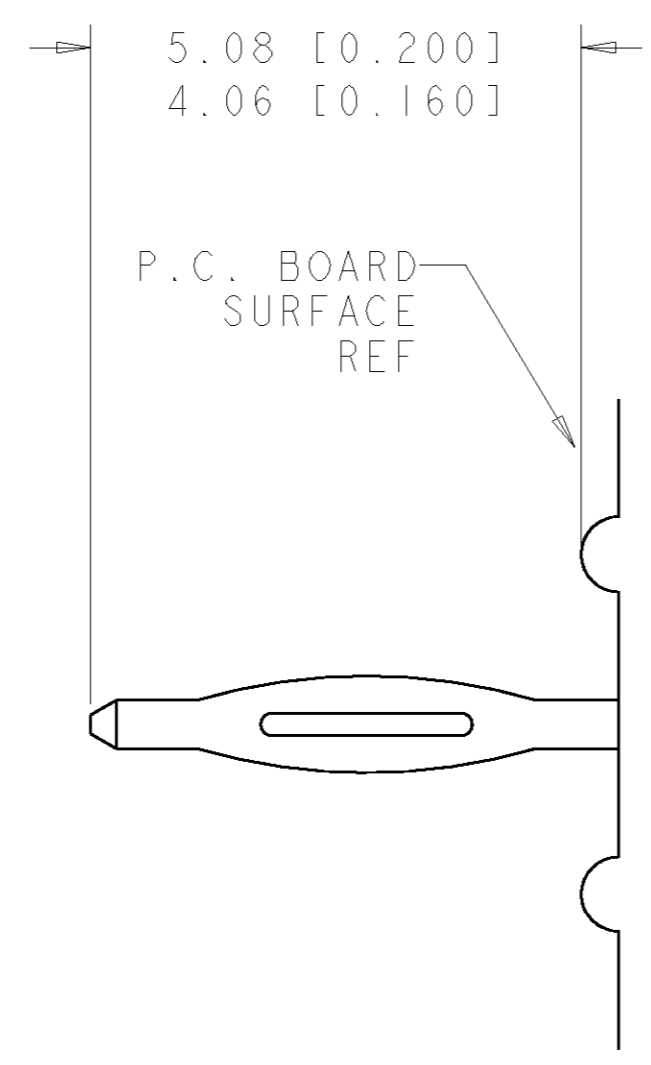
MATERIAL: - FINISH: - WEIGHT: -

CUSTOMER DRAWING SCALE: 3:1 SHEET 2 OF 3 REV A

ELCON **FLATPAQ**

THIS DRAWING IS UNPUBLISHED. RELEASED FOR PUBLICATION 20
 © COPYRIGHT 20 BY TYCO ELECTRONICS CORPORATION. ALL RIGHTS RESERVED.

LOC	DIST	REVISIONS			
P	LTR	DESCRIPTION	DATE	DWN	APVD
GP	00	-	SEE SHEET 1	-	-



7. COMPLIANT PIN DETAIL
 SCALE 10 : 1
 INSERTION/EXTRACTION FORCES
 MAXIMUM PUSH IN: 133.3N PER PIN
 [30 LBS]
 MINIMUM PUSH OU: 44.4N PER PIN
 [10 LBS]

8. SOLDER TERMINATION AREA
 SCALE 40:1
 RECOMMENDED PRINTED CIRCUIT HOLE
 SOLDER OR COMPLIANT PRESS FIT
 DRILLED HOLE: Ø1.15 [0.0453] ±.013 [0.0005]
 COPPER PLATE: .025 [0.0010] TO .050 [0.0020]
 TIN PLATE: .0005 [0.000020] MIN. (PER SURFACE)

ELCON FLATPAQ

THIS DRAWING IS A CONTROLLED DOCUMENT FOR TYCO ELECTRONICS CORPORATION IT IS SUBJECT TO CHANGE AND THE CONTROLLING ENGINEERING ORGANIZATION SHOULD BE CONTACTED FOR THE LATEST REVISION.		DWN R. GRZYBOWSKI 13 JUN 2007	Tyco Electronics Harrisburg, PA 17105-3608	
DIMENSIONS: mm [INCHES]		CHK P. DAMATO 13 JUN 2007	NAME SOCKET CONNECTOR, STRAIGHT COMPLIANT FLATPAQ	
TOLERANCES UNLESS OTHERWISE SPECIFIED:		APVD S. FLICKINGER 13 JUN 2007	SIZE A200779	CAGE CODE C-6651778
0 PLC ±	1 PLC ±.5 [0.020]	PRODUCT SPEC -	DRAWING NO -	RESTRICTED TO -
2 PLC ±.25 [0.010]	3 PLC ±	APPLICATION SPEC -	SCALE 3:1	SHEET 3 OF 3
4 PLC ±	ANGLES ±.5	WEIGHT -	CUSTOMER DRAWING	REV A
MATERIAL -	FINISH -			